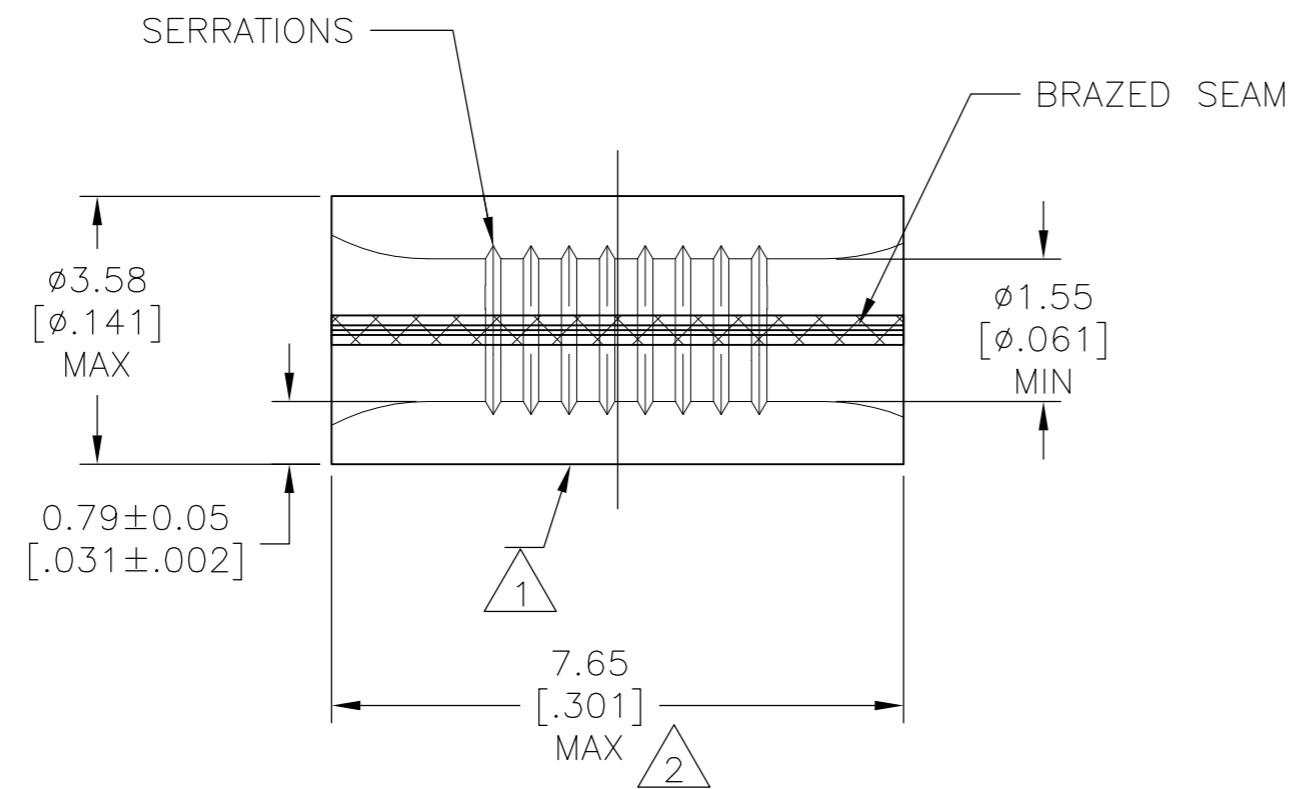


THIS DRAWING IS UNPUBLISHED. RELEASED FOR PUBLICATION
 © COPYRIGHT - By - ALL RIGHTS RESERVED.

LOC	DIST	REVISIONS					
		P	LTR	DESCRIPTION	DATE	DWN	APVD
G	14	T		REVISED PER ECO-110-012870	28APR11	HMR	DR

AMP
WIRE RANGE

22-16 AWG
SOLID OR STRANDED



- 1 STAMP AMP 22-18* APPROX AS SHOWN 22-16 SPLICES ARE STAMPED 22-18 IN ACCORDANCE WITH MILITARY SPEC SAE AS7928 COMMERCIAL WIRE RANGE IS 22-16
- 2 MAXIMUM LENGTH DOES NOT INCLUDE MANUFACTURING TABS.
- 3 GOLD PLATE 0.00127 [0.00050] MIN EXT THK PER ASTM B 488 TYPE 1, CODE C OVER NICKEL PLATE 0.00127 [0.00050] MIN EXT THK PER SAE AMS QQ-N-290. OVER Cu FLASH PER SAE AMS 2418.
- 4 CSA CERTIFIED LR7189, 22-16 AWG SOLID OR STRANDED
- 5 UL LISTED E13288, 22-16 AWG SOLID OR STRANDED.
- 6 MATERIAL: COPPER PER ASTM B-152 ANNEALED
- 7 0.00254 [0.00100] MIN EXT THK TIN PLATE PER ASTM B-545
- 8 0.00254 [0.00100] MIN EXT THK TIN-LEAD (60/40) PLATE PER SAE-AMS-P-81728

MAX TEMP	APPROVALS	QTY	PACKAGE TYPE	PART NO
170°C	4 5	100	LOOSE PIECE, BOX SPECIAL (NO WINDOW)	7 8-34130-5
170°C	4 5	100	LOOSE PIECE, BOX	7 8-34130-1
170°C	--	1000	LOOSE PIECE	8 34130-4
260°C	--	1000	LOOSE PIECE	3 34130-3
170°C	4 5	1000	LOOSE PIECE	7 34130

AMP INCORPORATED CUSTOMER SERVICE SYSTEMS		MAX RECOMMENDED OPERATING TEMPERATURE: SEE TABLE
FOR ADDITIONAL PRODUCT INFORMATION OR COPIES OF DRAWINGS AND TECHNICAL DOCUMENTS	PRODUCT INFORMATION CENTER 1-800-522-6752	VOLTAGE RATING: N/A
FOR APPLICATION TOOLING INFORMATION	TOOLING ASSISTANCE CENTER 1-800-722-1111	CIRCULAR MIL AREA: 0.26-1.65mm ² [509-3,260] SOLID OR STRANDED
FOR ORDER ENTRY	1-800-526-5142	THIS DRAWING IS A CONTROLLED DOCUMENT FOR AMP INCORPORATED. IT IS SUBJECT TO CHANGE AND THE CONTROLLING ENGINEERING ORGANIZATION SHOULD BE CONTACTED FOR THE LATEST REVISION.

THIS DRAWING IS A CONTROLLED DOCUMENT.		DWN TA BRINKMAN 4-14-93	TE TE Connectivity	
DIMENSIONS: mm [INCHES]		CHK DA PATTERSON 4-14-93		
TOLERANCES UNLESS OTHERWISE SPECIFIED:		APVD J MECKLEY 4-14-93	NAME SPLICE, PARALLEL, SOLISTRAND	
0 PLC ± - 1 PLC ± - 2 PLC ± - 3 PLC ± - 4 PLC ± - ANGLES ± -		PRODUCT SPEC APPLICATION SPEC	SIZE A2	CAGE CODE 00779
MATERIAL 6	FINISH SEE TABLE	WEIGHT -	DRAWING NO C=34130	RESTRICTED TO -
CUSTOMER DRAWING			SCALE 10:1	SHEET 1 OF 1